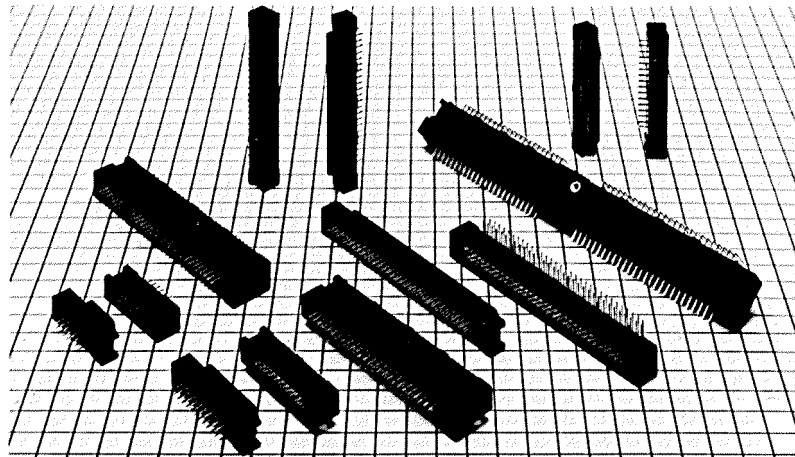


2.54 X 2.54mm GRID PATTERN PCN5D SERIES ZIGZAG LINE TWO PIECE CONNECTORS

General

PCN5D series is a modified 2.54 mm centers zigzag line two-piece connector of original PCN5 series through Value-Engineering to meet the demands of today's industry. 13, 23, 31, 45, 53, 65, 73 and 100 way are line-uped with a variety of terminal posts of Straight or Right Angle Dip Soldering and Wire Wrapping in Plug type, while Straight

Dip Soldering, Soldering Eyelet, and Wire Wrapping in Socket type. Selective gold plating is available in Socket Dip Soldering contact (DS type). The D shape molding design assures PCN5D series error-free polarization. For no flux entrapment, Stand-Off is added newly to the molding.



Material and Finish

Molding: UL-94V-O Glass-reinforced Polyester, Black
Pin Contact: DS, DSA : Brass, Wholly Gold Plating.
W : Phosphor Bronze, Wholly Gold Plating.
Socket Contact: DS, W, E : Phosphor Bronze, Wholly Gold plating
DS : Phosphor Bronze, Selective Gold Plating.

Electrical and Environmental

Current Rating : 3A
Voltage Rating : AC300V, DC420V
Insulation Resistance : 5000M Ω MIN at DC500V
Contact Resistance : 10m Ω MAX at DC1A
Voltage Withstanding : AC650V MIN for a minute
Insertion and
Extraction Force : 30grs to 250grs/contact at 0.5 \pm 0.002 mm steel gauge
Humidity : MIL-STD-202, Insulation Resistance 1000M Ω MIN at 40 \pm 2 $^{\circ}$ C, 90–95%, and 96 hours
Vibration : MIL-STD-202, No visual damage nor looseness of parts at 10–55Hz with 1.5mm amplitude
Shock : MIL-STD-202, No visual damage nor looseness of parts at 50G in 3 directions
Temperature Cycling : MIL-STD-202, No visual damage at –55 to +85 $^{\circ}$ C
Durability : Contact Resistance 10m Ω MAX at DC1A after 500 times consecutive coupling operation
Salt Spray : MIL-STD-202, No heavy corrosion at 5%, 35 $^{\circ}$ C, Salt Water spray for 48 hours

Ordering Information

PCN5D - 53 PT - 1.27 DS

Series Name & No. _____

No. of Pin _____

13, 23, 31, 45, 53,
65, 73, 100

PT: Wholly Gold Plating _____

Contact Pitch: 1.27mm _____

Terminal Configuration _____

DS : Right Angle Dip Soldering
 DSA : Straight Dip Soldering
 W : Wire Wrapping

PCN5D - 53 STA - 1.27 DS

Series Name & No. _____

No. of Pin _____

13, 23, 31, 45, 53,
65, 73, 100

ST: Wholly Gold Plating _____

STA: Selectively Gold Plating
 (DS type only)

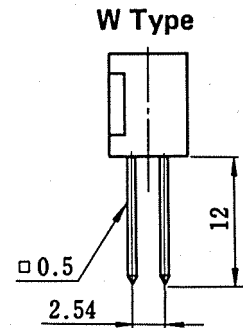
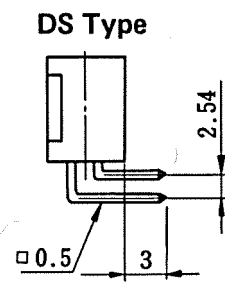
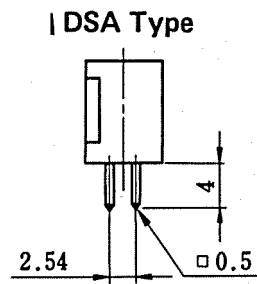
Contact Pitch: 1.27mm _____

Terminal Configuration _____

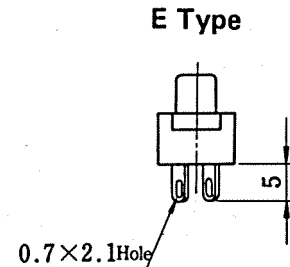
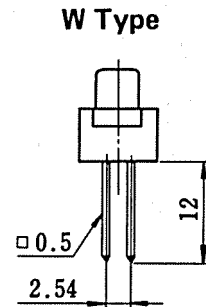
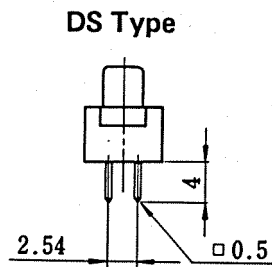
DS : Straight Dip Soldering
 W : Wire Wrapping
 E : Soldering Eyelet

Terminals

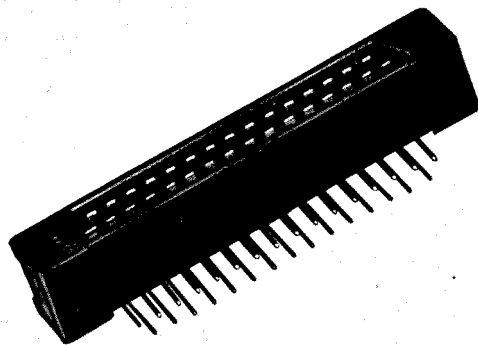
(1) Plug



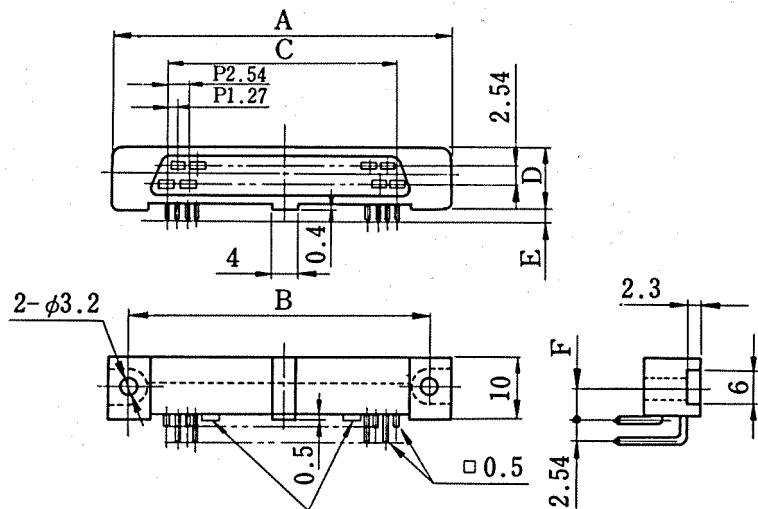
(2) Socket



Plug.....Right Angle Dip Soldering Type



PCN5D-31PT-1.27DS

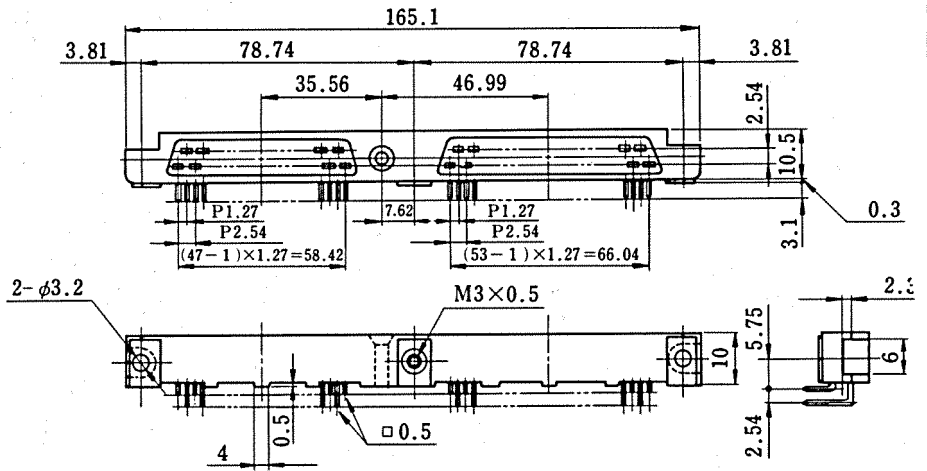
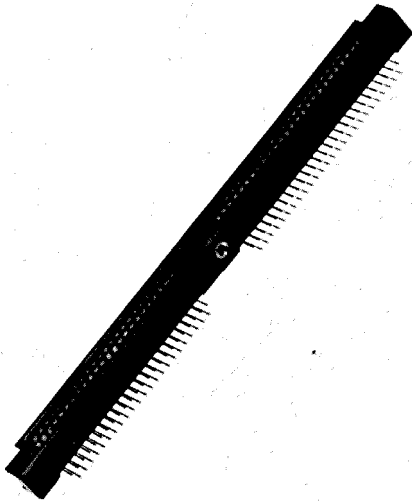


Note: For 45 - 73 pin
mm

No. of Pin	Part No.	A	B	C	D	E	F	
13	PCN5D-13PT-1.27DS	35.3	29.3	15.24	8.3	3.1	5.25	
*	23	PCN5D-23PT-1.27DS	44.1	38.1	27.94	8.5	3	5.25
*	31	PCN5D-31PT-1.27DS	54.26	48.26	38.1	8.5	3	5.25
*	45	PCN5D-45PT-1.27DS	72.04	66.04	55.88	8.5	3	5.25
*	53	PCN5D-53PT-1.27DS	82	76	66.04	8.5	3	5.25
*	65	PCN5D-65PT-1.27DS	97.44	91.44	81.28	10.5	3.4	5.75
*	73	PCN5D-73PT-1.27DS	107.6	101.6	91.44	10.5	3.4	5.75

*: Standard type

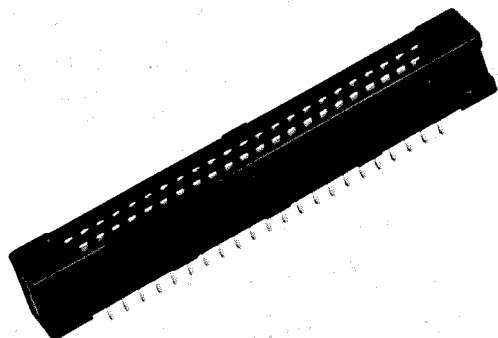
100 Pin Right Angle Plug



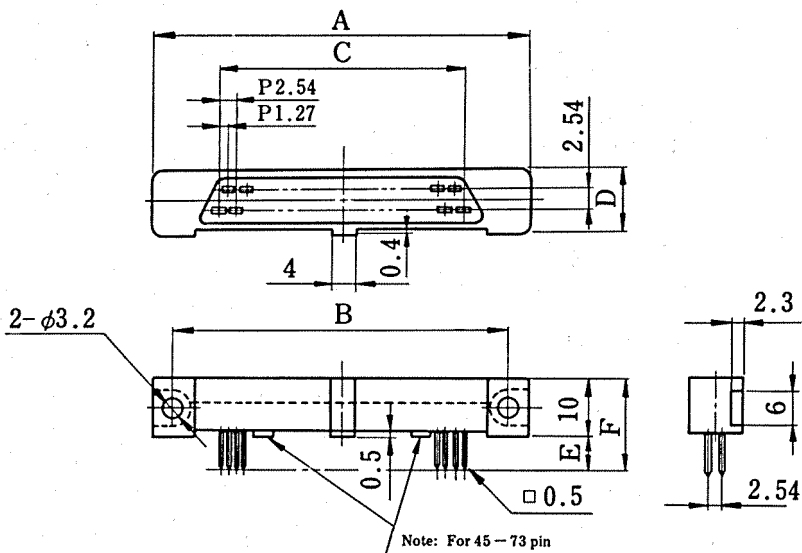
PCN5D-100PT-1.27DS

Part No.
* PCN5D-100PT-1.27DS
* Standard type

Plug: Wire Wrapping and Straight Dip Soldering



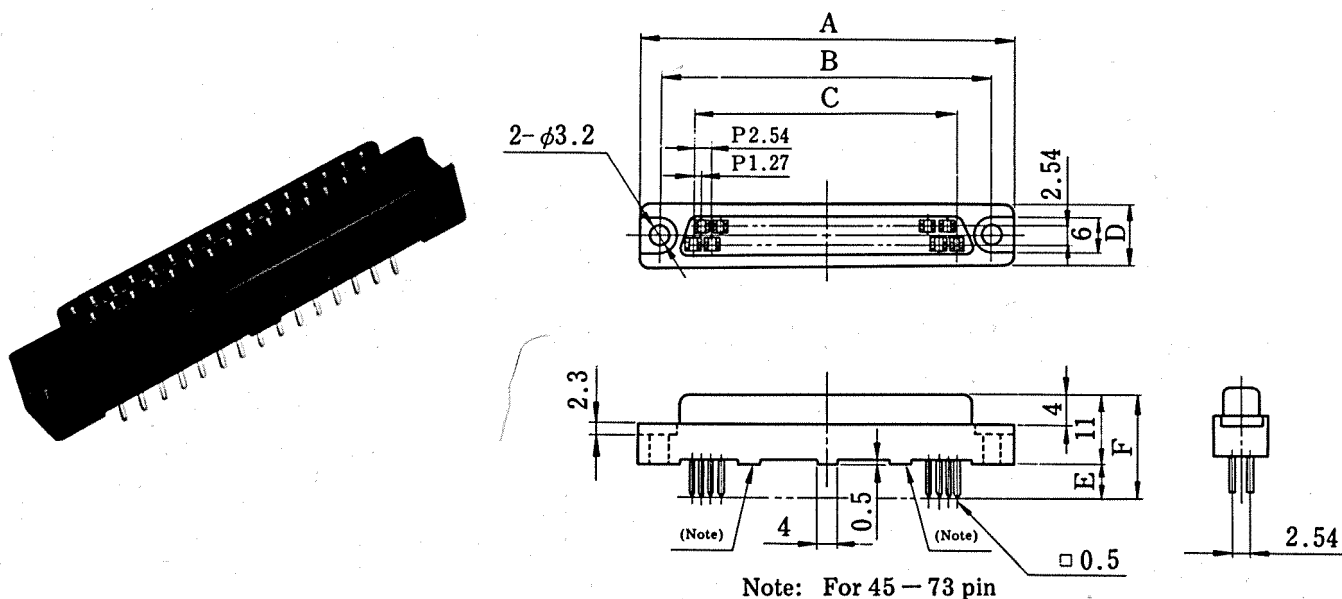
PCN5D-45PT-1.27DSA



mm

No. of pin	Part No.	A	B	C	D	E	F
13	PCN5D-13PT-1.27DSA	35.3	29.3	15.24	8.3	4	14
23	PCN5D-23PT-1.27DSA	44.1	38.1	27.94	8.5	4	14
	PCN5D-23PT-1.27W					12	22
31	PCN5D-31PT-1.27DSA	54.26	48.26	38.1	8.5	4	14
	PCN5D-31PT-1.27W					12	22
45	PCN5D-45PT-1.27DSA	72.04	66.04	55.88	8.5	4	14
	PCN5D-45PT-1.27W					12	22
53	PCN5D-53PT-1.27DSA	82	76	66.04	8.5	4	14
65	PCN5D-65PT-1.27DSA	97.44	91.44	81.28	10.5	4	14

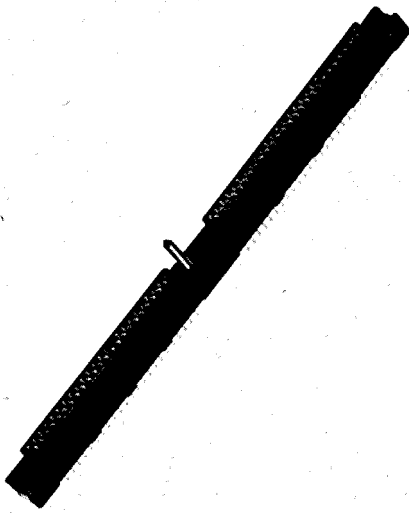
Socket: Straight Dip Soldering and Wire Wrapping Type



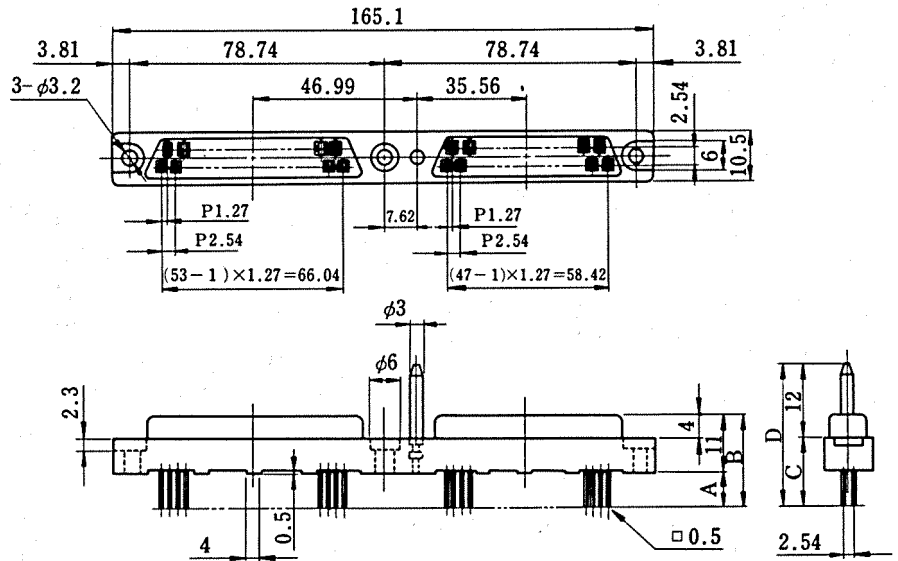
mm

No. of pin	Part No.	A	B	C	D	E	F
13	PCN5D-13STA-1.27DS	35.3	29.3	15.24	8.3	4	15
	PCN5D-13ST -1.27DS						
23	PCN5D-23STA-1.27DS	44.1	38.1	27.94	8.5	4	15
	PCN5D-23ST -1.27DS						
	PCN5D-23ST -1.27W					12	23
31	PCN5D-31STA-1.27DS	54.26	48.26	38.1	8.5	4	15
	PCN5D-31ST -1.27DS						
	PCN5D-31ST -1.27W					12	23
45	PCN5D-45STA-1.27DS	72.04	66.04	55.88	8.5	4	15
	PCN5D-45ST -1.27DS						
	PCN5D-45ST -1.27W					12	23
53	PCN5D-53STA-1.27DS	82	76	66.04	8.5	4	15
	PCN5D-53ST -1.27DS						
	PCN5D-53ST -1.27W					12	23
65	PCN5D-65STA-1.27DS	97.44	91.44	81.28	10.5	4	15
	PCN5D-65ST -1.27DS						
	PCN5D-65ST -1.27W					12	23
73	PCN5D-73STA-1.27DS	107.6	101.6	91.44	10.5	4	15
	PCN5D-73ST -1.27DS						
	PCN5D-73ST -1.27W					12	23

100 pin Straight Dip Soldering and Wrapping

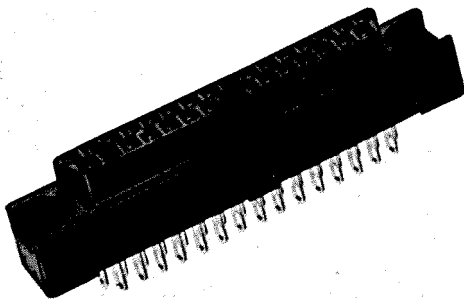


PCN5D-100STA-1.27DS

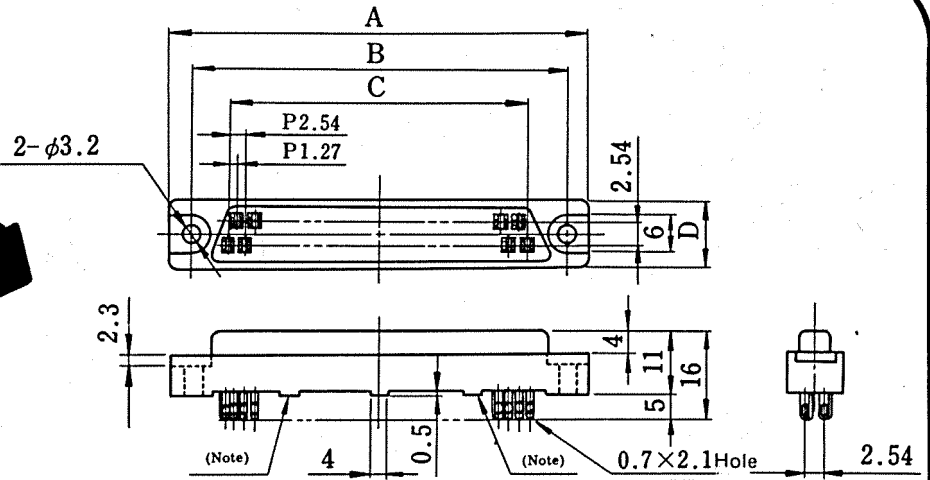


Part No.	A	B	C	D
PCN5D-100STA-1.27DS	44	15	11	23
PCN5D-100ST-1.27DS				
PCN5D-100ST-1.27W	12	23	19	31

Socket: Solder Eyelet Type



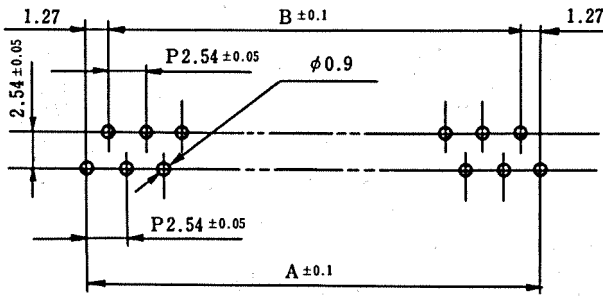
PCN5D-31ST-1.27E



Note: For 45 - 65 pin mm

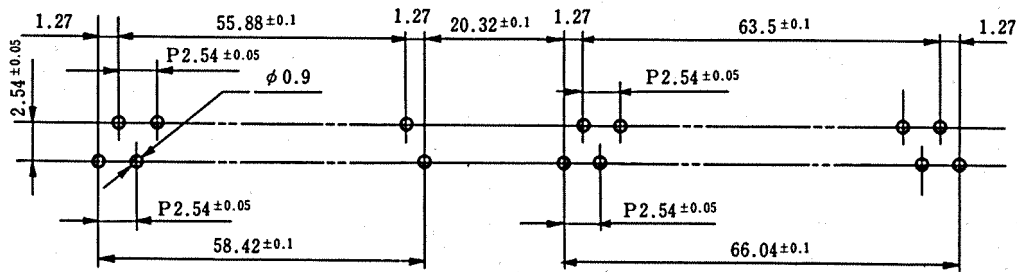
No. of Pin	Part No.	A	B	C	D
13	PCN5D-13ST-1.27E	35.3	29.3	15.24	8.3
23	PCN5D-23ST-1.27E	44.1	38.1	27.94	8.5
31	PCN5D-31ST-1.27E	54.26	48.26	38.1	8.5
45	PCN5D-45ST-1.27E	72.04	66.04	55.88	8.5
53	PCN5D-53ST-1.27E	72	76	66.04	8.5
65	PCN5D-65ST-1.27E	97.44	91.44	81.28	10.5

PCB Hole Pattern

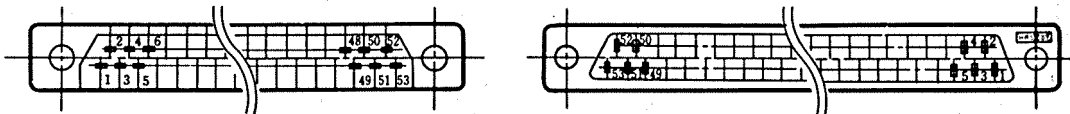


		mm						
No. of Pin Size	13	23	31	45	53	65	73	
	A	15.24	27.94	38.1	55.88	66.04	81.28	91.44
B	12.7	25.4	35.56	53.34	63.5	78.74	88.9	

100 Pin



Contact Arrangement



Accessory

